
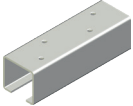

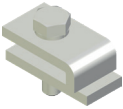


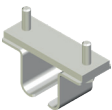


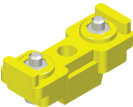
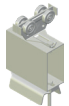






Bar height: 30 mm
Load capacity: 100 kg/m
Galvanized steel
Suitable for flat and round cables

LINE 30

	30607001 C-rail bar (4 m)
	30607002 Joint unit
	30607001/050F 30607001/080F Bracket
	30607012 Support clip
	30607003 Wall fixing bracket
	30607017 Ceiling fixing bracket
	30607004 Beam fixing bracket
	30607015 End cap
	30607016 Cable clamp for round cable
	30607005 Line end stop
	30607007 Towing trolley for flat cable (saddle: 68 mm, excursion: 30 mm)
	30607011 Trolley for flat cable (saddle: 55 mm, excursion: 10 mm)
	30607010 Trolley for flat cable (saddle: 68 mm, excursion: 30 mm)

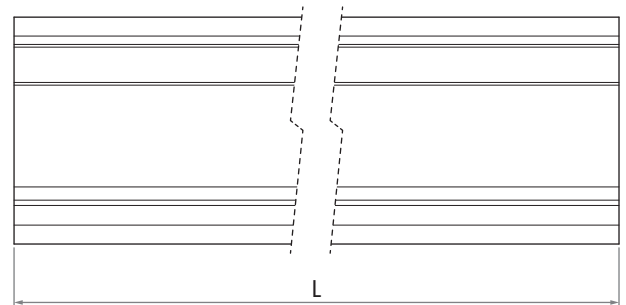
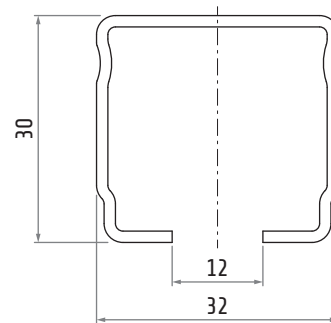
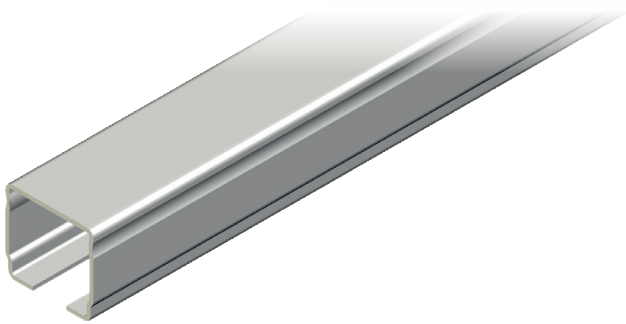
FESTOON SYSTEM

	30607023 Swinging towing trolley for round cable (Ø 26...40 mm)
	30607021 Swinging trolley for round cable (Ø 10...25 mm)
	30607025 Additional saddle for swinging trolley for round cable (Ø 10...25 mm)
	30607022 Swinging trolley for round cable (Ø 26...40 mm)
	30607026 Additional saddle for swinging trolley for round cable (Ø 26...40 mm)
	30607020 Head clamp (saddle: 55 mm, excursion: 30 mm)
	30607006 Head clamp (saddle: 76 mm, excursion: 30 mm)
	30607027 Trolley with 16 poles socket (saddle: 68 mm, excursion: 30 mm)
	30607028 Trolley with 24 poles socket (saddle: 68 mm, excursion: 30 mm)
	30607029 Trolley without plug / socket (saddle: 68 mm, excursion: 30 mm)



30607001

C-RAIL BAR



Material		galvanized steel
Standard length	L	4 m
Thickness		1.5 mm
Weight		~1.18 kg/m (~4.8 kg)

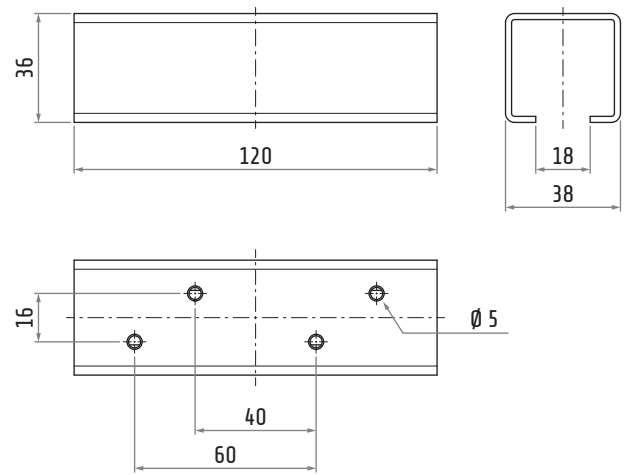
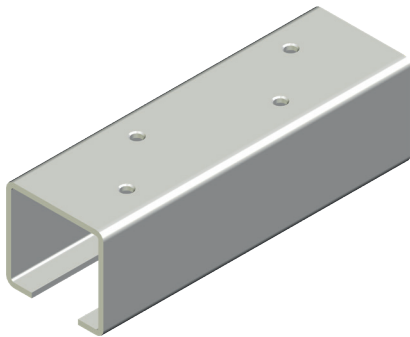
Standard 90° curves	30607031	30607030
Radius	1200 mm	1500 mm
Weight	~2.25 kg	~2.78 kg

Custom curved bars available on request
(minimum radius 1200 mm)



30607002

JOINT UNIT

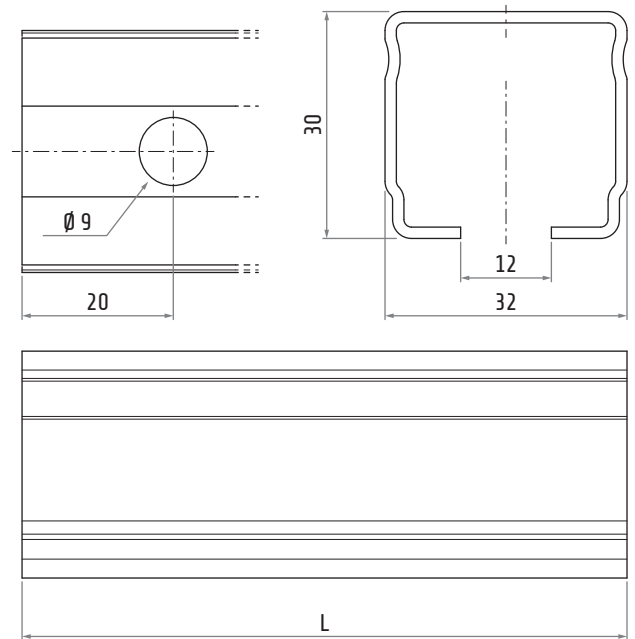
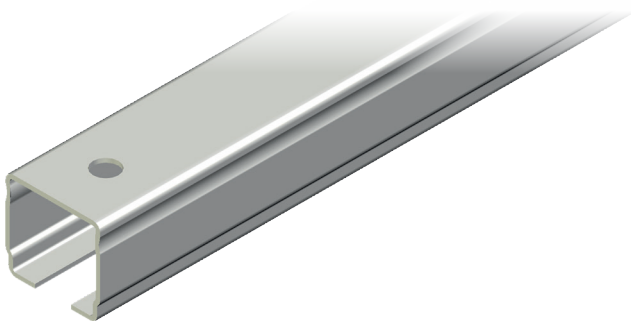


Material	galvanized steel
Thickness	2 mm
Weight	~220 g



30607001/...F

BRACKET

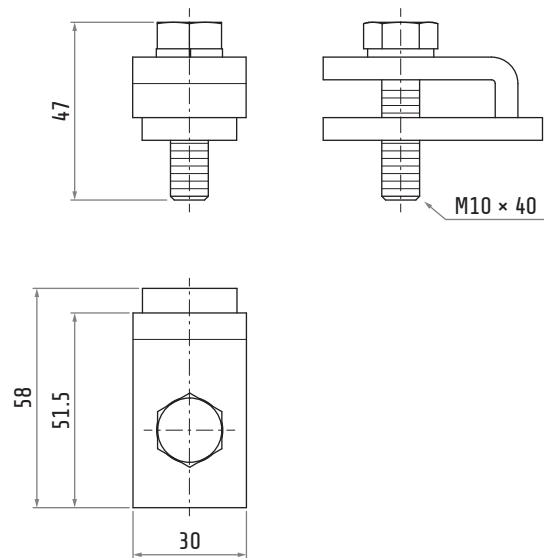
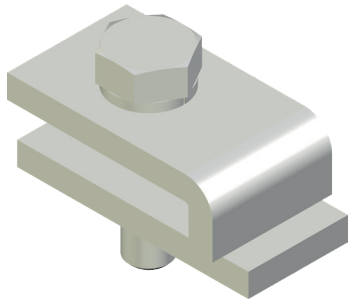


		30607001/050F	30607001/080F
Material		galvanized steel	galvanized steel
Length	L	500 mm	800 mm
Thickness		1.5 mm	1.5 mm
Weight		~590 g	~950 g



30607012

SUPPORT CLIP

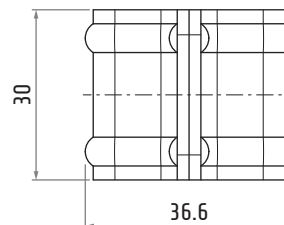
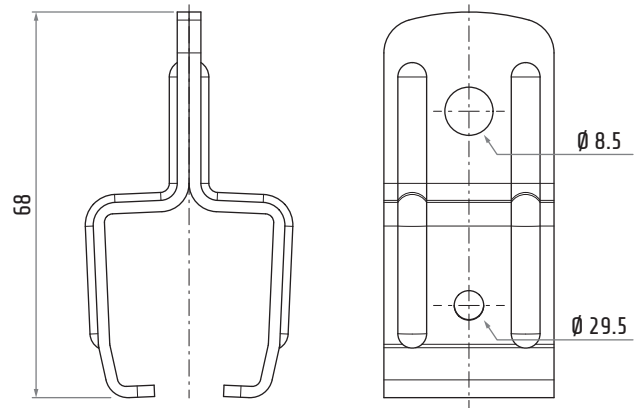
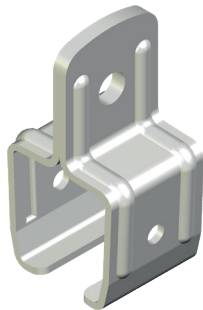


Material	galvanized steel
Weight	~185 g



30607003

WALL FIXING BRACKET

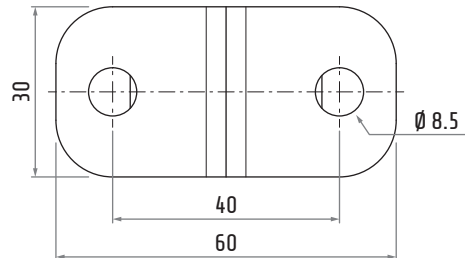
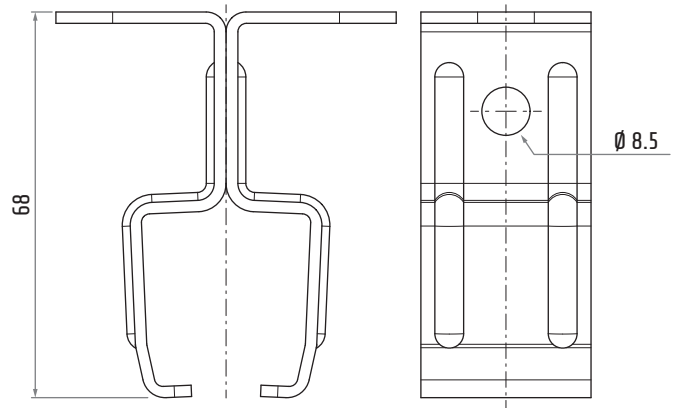
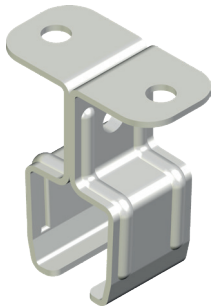


Material	galvanized steel
Weight	~75 g



30607017

CEILING FIXING BRACKET

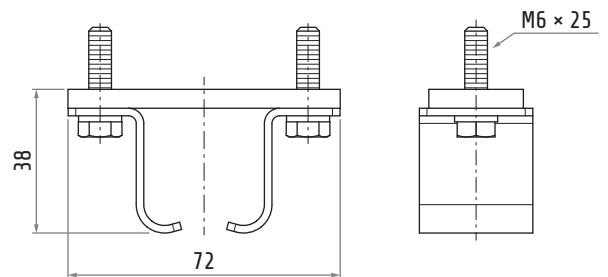
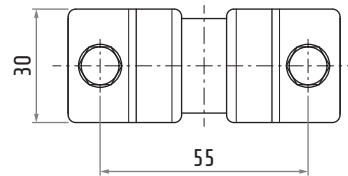
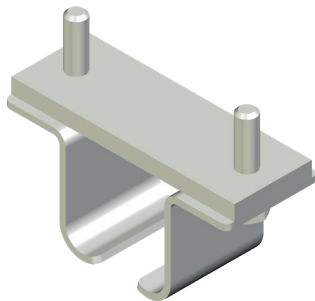


Material	galvanized steel
Weight	~100 g



30607004

BEAM FIXING BRACKET

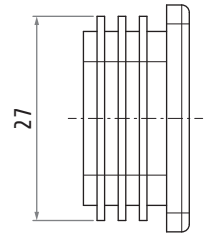
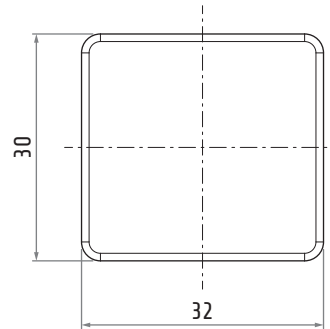
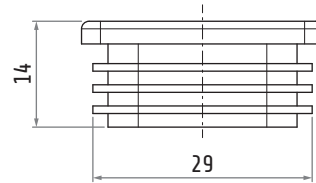
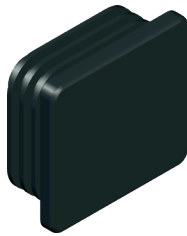


Material	galvanized steel
Weight	~140 g



30607015

END CAP

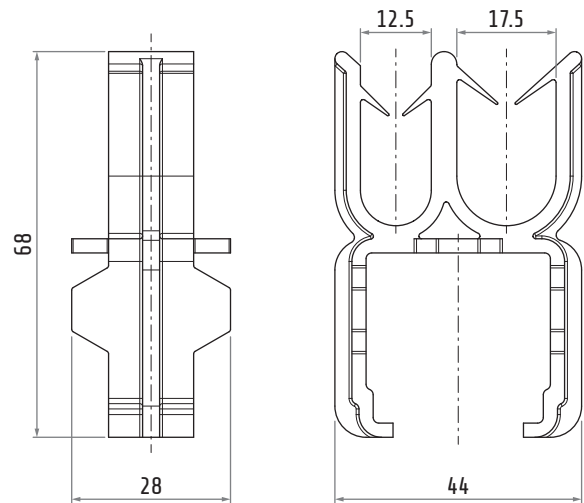
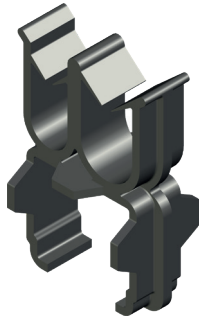


Material	nylon
Weight	~6 g



30607016

CABLE CLAMP FOR ROUND CABLE

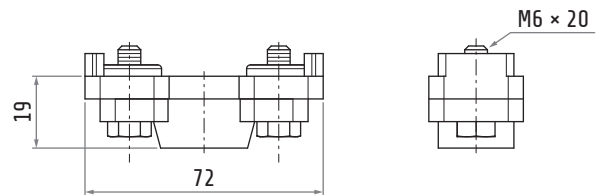
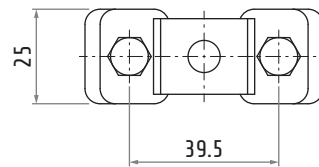
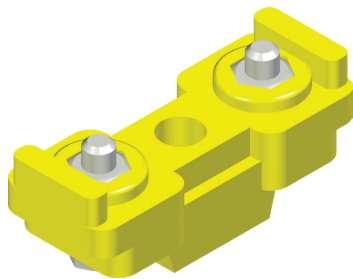


Material	nylon
Weight	~10 g
Cables	Ø 12 ... 18 mm



30607005

LINE END STOP

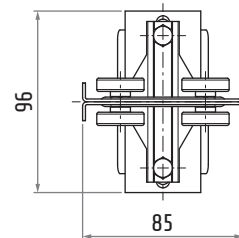
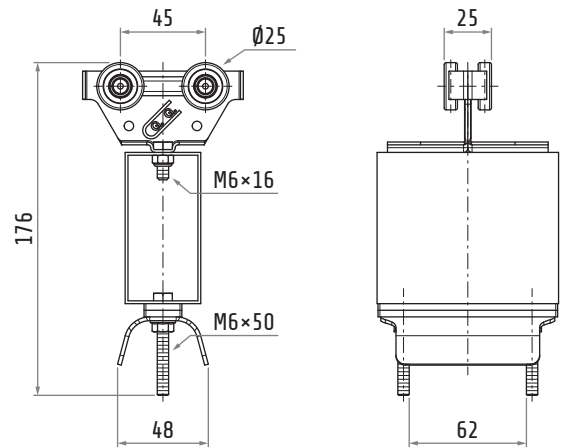
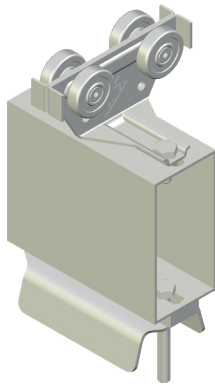


Material	body	nylon
	hardware	galvanized steel
Weight	~35 g	



30607007

TOWING TROLLEY FOR FLAT CABLE

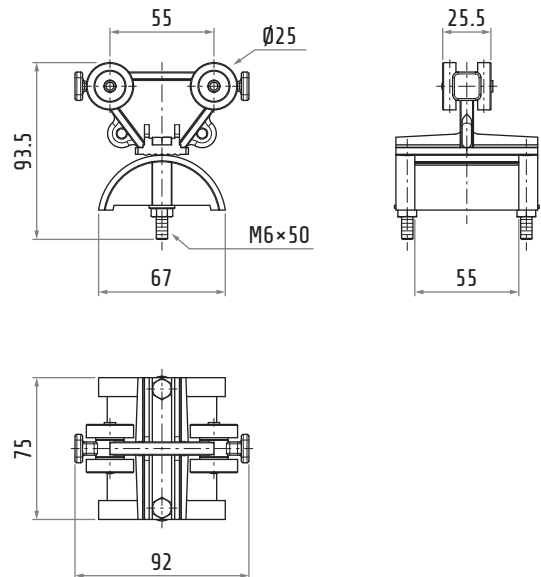
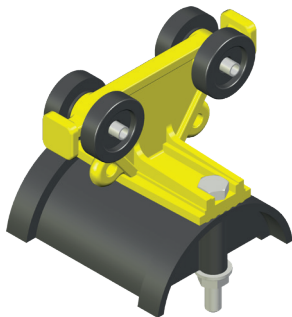


Material	body	galvanized steel
	hardware	galvanized steel
	rollers	covered ball bearings
Weight		~610 g
Saddle		68 mm
Excursion		30 mm



30607011

TROLLEY FOR FLAT CABLE

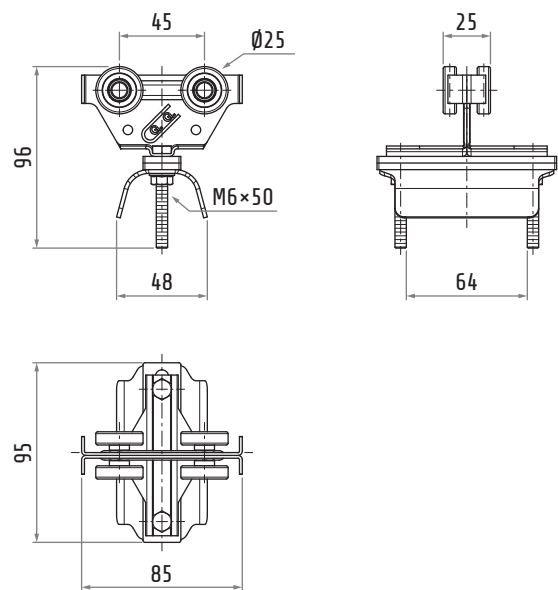
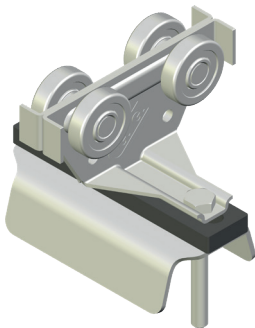


Material	body hardware rollers	nylon galvanized steel covered ball bearings
Weight		~115 g
Saddle		55 mm
Excursion		10 mm



30607010

TROLLEY FOR FLAT CABLE

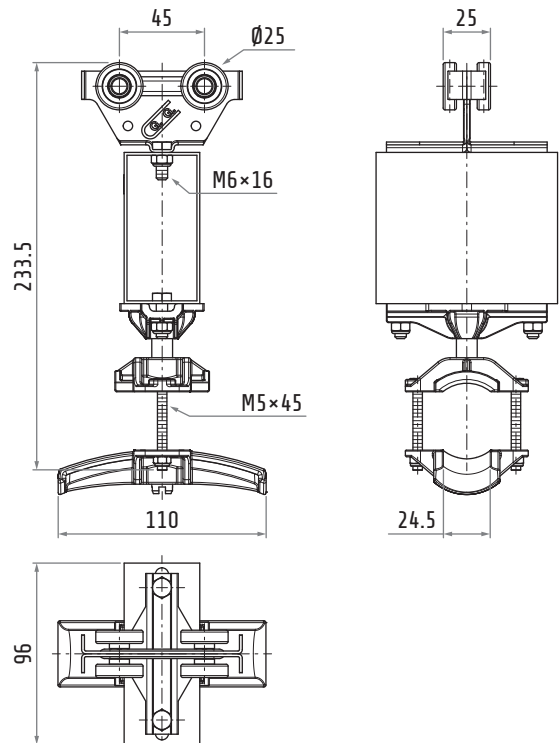
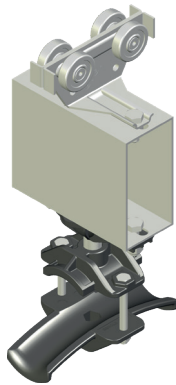


Material	body hardware rollers separator	galvanized steel galvanized steel covered ball bearings thermoplastic
Weight		~310 g
Saddle		68 mm
Excursion		30 mm



30607023

SWINGING TOWING TROLLEY FOR ROUND CABLE

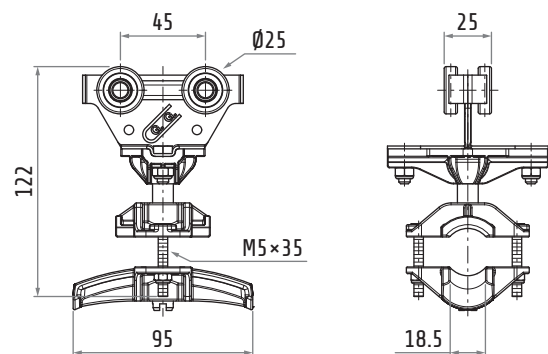


Material	body	galvanized steel
	hardware	galvanized steel
	rollers	covered ball bearings
	cable support	nylon
Weight	~610 g	
Cable	Ø 26...40 mm	



30607021

SWINGING TROLLEY FOR ROUND CABLE

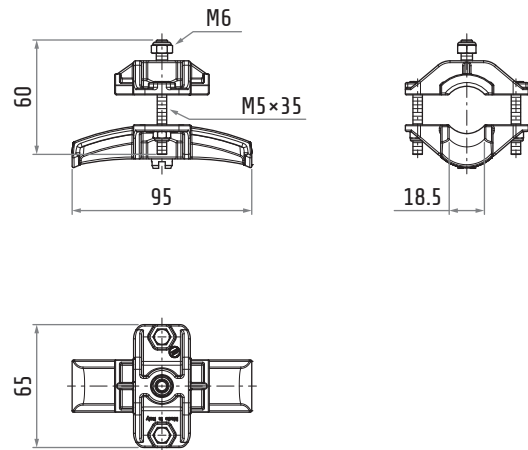


Material	body	galvanized steel
	hardware	galvanized steel
	rollers	covered ball bearings
	cable support	nylon
Weight		~300 g
Cable		$\varnothing 10 \dots 25$ mm



30607025

ADDITIONAL SADDLE FOR SWINGING TROLLEY FOR ROUND CABLE

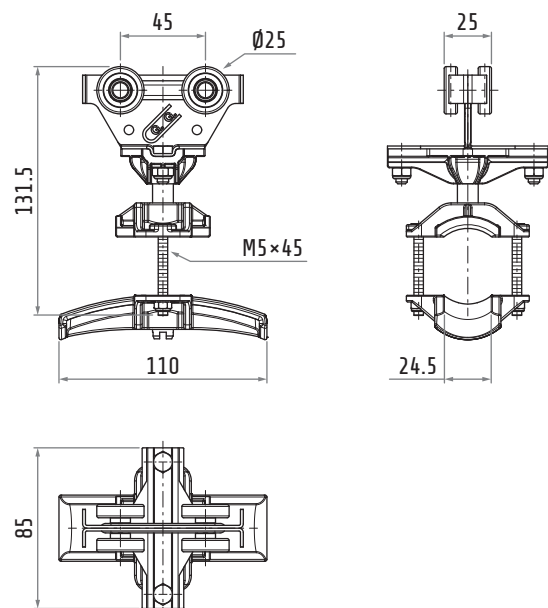


Material	body hardware	nylon galvanized steel
Weight		~80 g
Cable		Ø 10...25 mm



30607022

SWINGING TROLLEY FOR ROUND CABLE

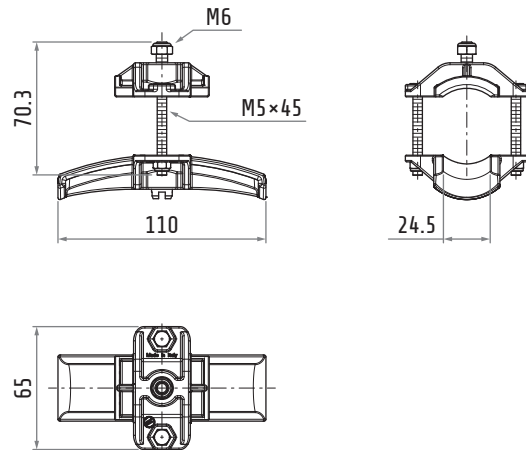


Material	body	galvanized steel
	hardware	galvanized steel
	rollers	covered ball bearings
	cable support	nylon
Weight		~310 g
Cable		$\varnothing 26...40$ mm



30607026

ADDITIONAL SADDLE FOR SWINGING TROLLEY FOR ROUND CABLE

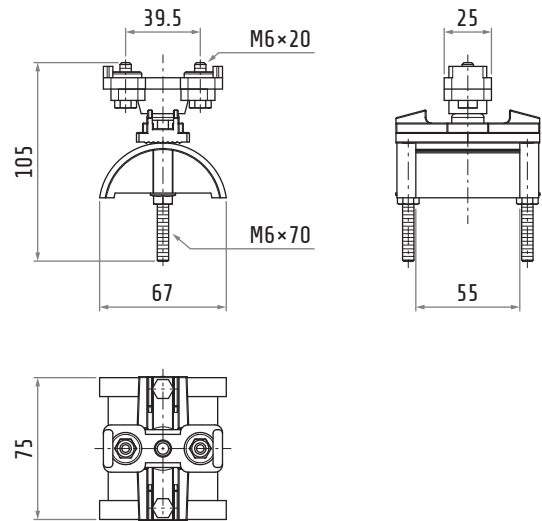
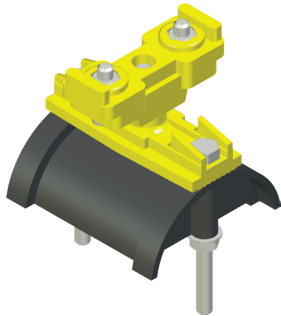


Material	body	nylon
	hardware	galvanized steel
Weight	~80 g	
Cable	Ø 26...40 mm	



30607020

HEAD CLAMP

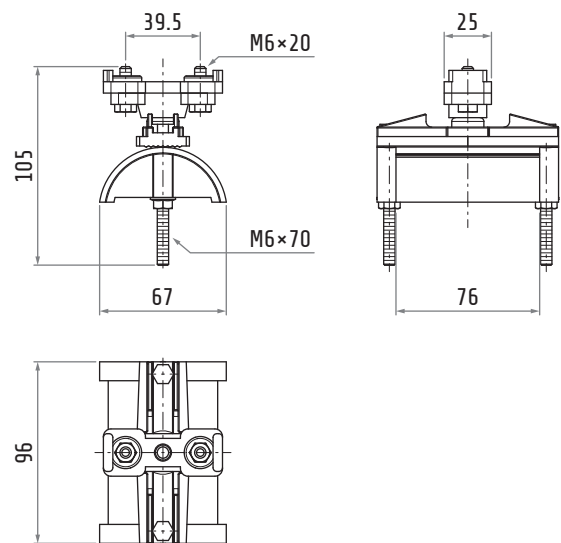
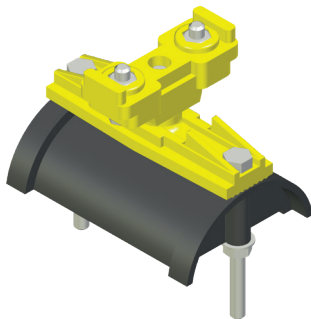


Material	body	nylon
	hardware	galvanized steel
Weight		~145 g
Saddle		55 mm
Excursion		30 mm



30607006

HEAD CLAMP

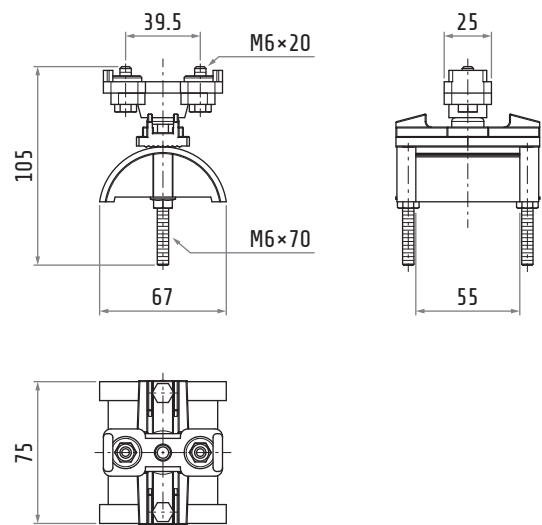
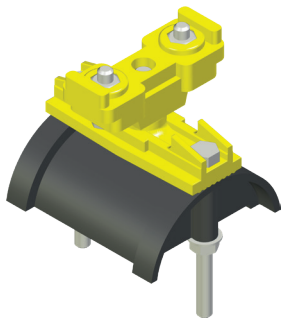


Material	body	nylon
	hardware	galvanized steel
Weight		~170 g
Saddle		76 mm
Excursion		30 mm



30607020

HEAD CLAMP

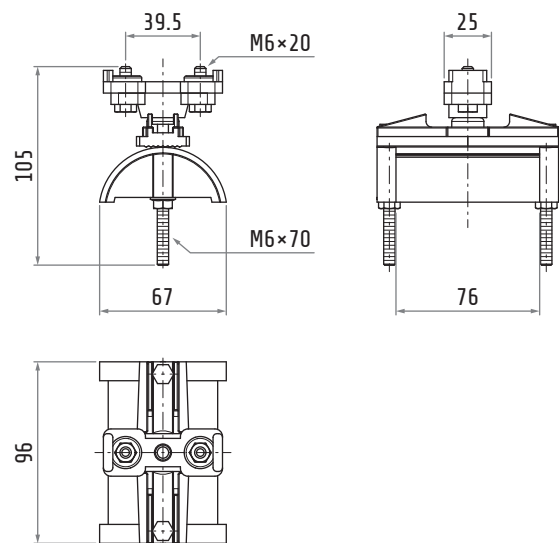
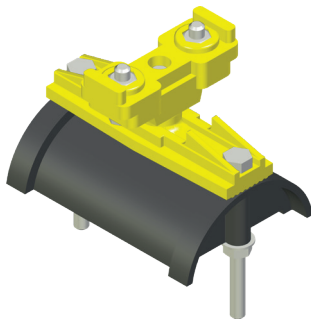


Material	body	nylon
	hardware	galvanized steel
Weight		~145 g
Saddle		55 mm
Excursion		30 mm



30607006

HEAD CLAMP

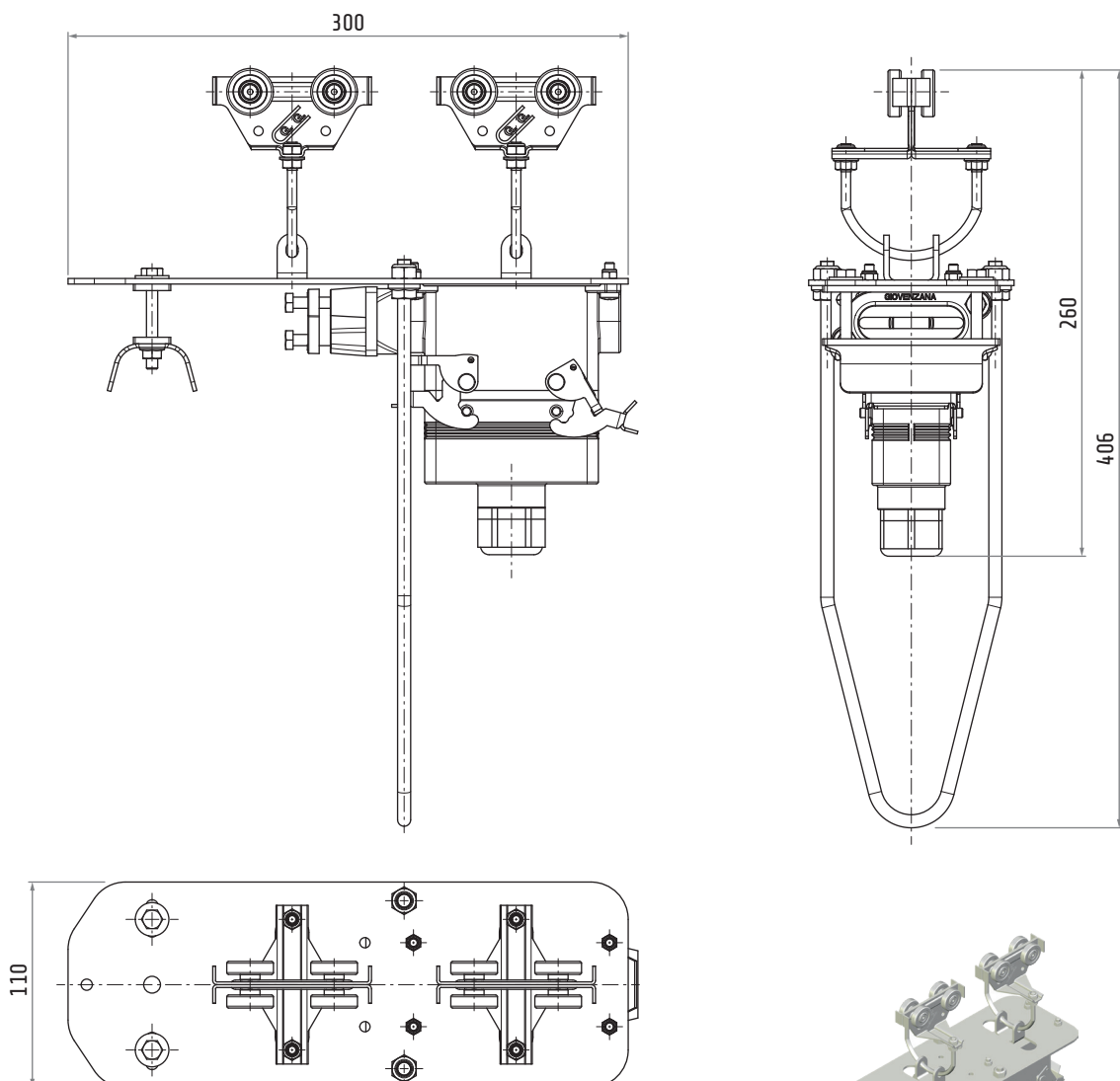


Material	body	nylon
	hardware	galvanized steel
Weight		~170 g
Saddle		76 mm
Excursion		30 mm



30607027

TROLLEY WITH 16 POLES SOCKET



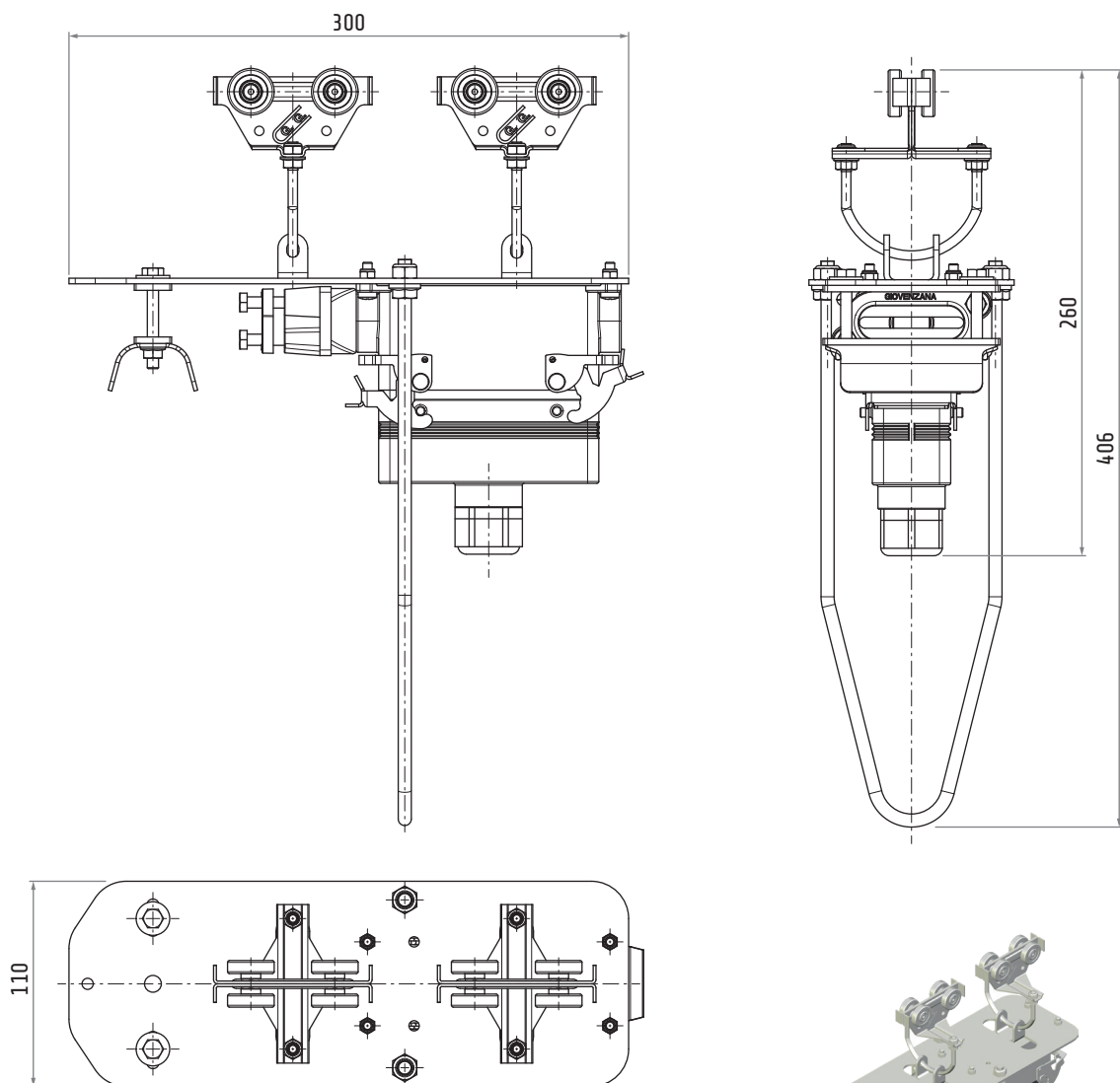
Dimensions in mm / illustrations NOT in scale

Material	body hardware rollers separator	galvanized steel galvanized steel covered ball bearings thermoplastic
Weight		~2.24 kg
Saddle		68 mm
Excursion		30 mm



30607028

TROLLEY WITH 24 POLES SOCKET



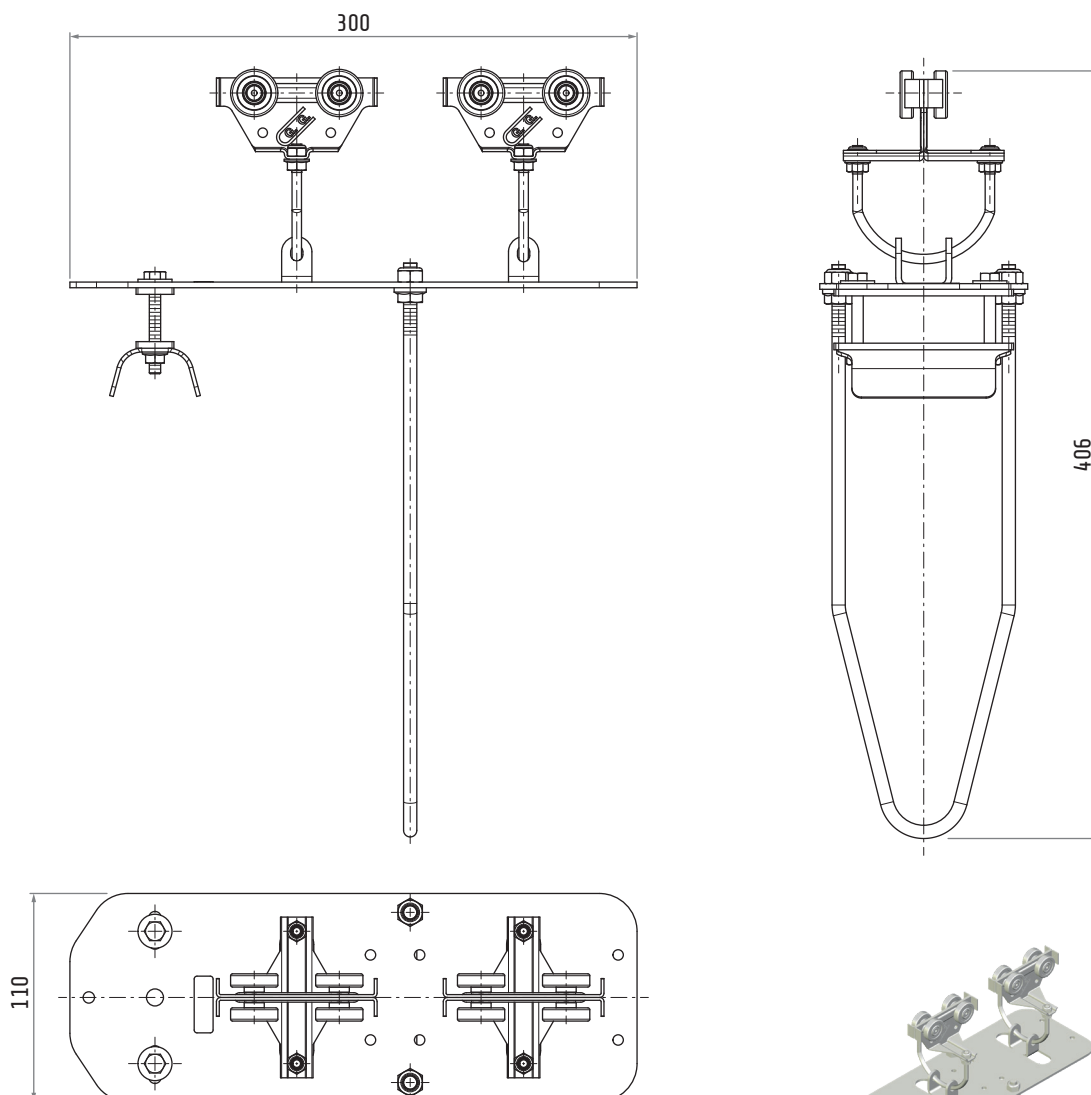
Dimensions in mm / illustrations NOT in scale

Material	body hardware rollers separator	galvanized steel galvanized steel covered ball bearings thermoplastic
Weight		~2.42 kg
Saddle		68 mm
Excursion		30 mm



30607029

TROLLEY WITHOUT PLUG / SOCKET



Dimensions in mm / illustrations NOT in scale

Material	body hardware rollers separator	galvanized steel galvanized steel covered ball bearings thermoplastic
Weight		~1.47 kg
Saddle		68 mm
Excursion		30 mm

ABACUS

